

## UPS3 15-50/65



PRODUCT CODE 99199622

### Product description

The UPS3 is a circulator pump designed to be used in domestic heating systems with either variable or constant flow rate. UPS3 automatically controls the differential pressure by adjusting the pump performance to the actual heating demand without the use of external components.

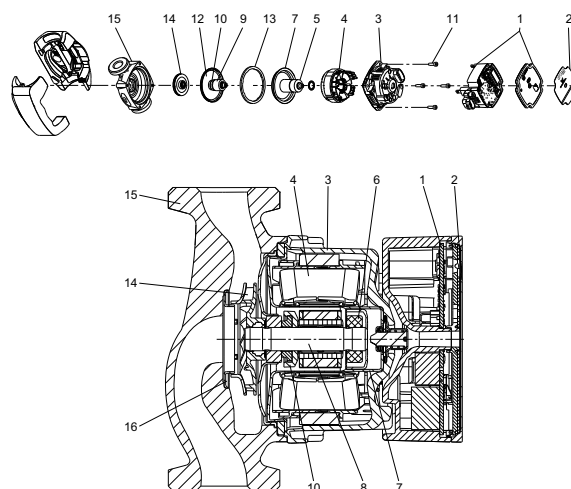
### Features

- Three constant curves/constant speed curves.
- Two proportional-pressure curves.
- Two constant-pressure curves.
- Low EEI (Energy Efficiency Index).
- Deblocking device.
- Alarm and warning indication
- Low noise level.
- Very simple installation.

### Technical data

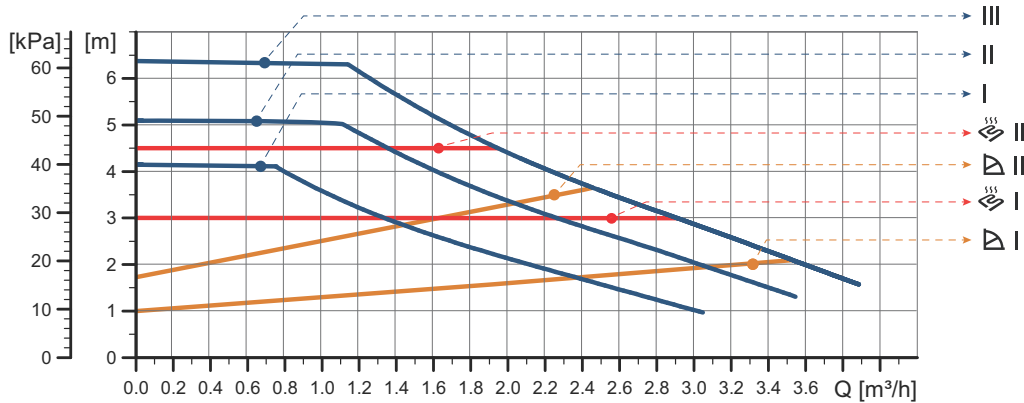
Operating conditions		
Ambient temperature	0-55 °C	
Liquid temperature	2-95 °C	
System pressure	PN 10: Maximum 1.0 MPa (10 bar)	
Relative humidity	Maximum 95 %	
	<b>Liquid temperature</b>	<b>Min. inlet pressure</b>
Inlet pressure	75 °C	0.005 MPa, 0.05 bar
	95 °C	0.05 MPa, 0.5 bar
Electrical data		
Supply voltage	1 x 230 V - 15 %/+ 10 %, 50/60 Hz, PE	
Insulation class	F	
Miscellaneous data		
Motor protection	The pump requires no external motor protection.	
Temperature class	TF95	
Enclosure class	IPX4D	
Specific EEI	≤ 0.20	

### Material specification

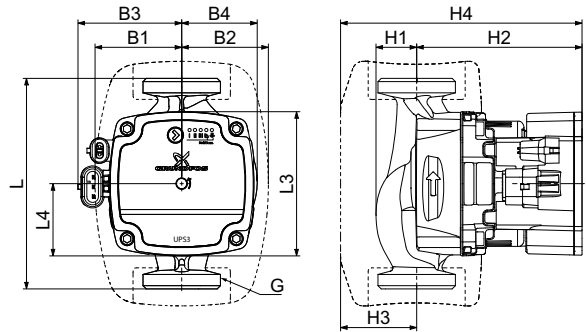


Pos.	Component	Material	EN/DIN
1	Control box	Composite PC-GF10 FR	
	Control electronics	PCB with SMD components	
	Control box heat sink	Aluminium	
2	Front foil	LEXAN 8A13F	
3	Stator housing	Aluminium, silumin	
4	Stator	Copper wire	
	Stator lamination	Laminated iron	
5	Push deblocking device		
	Plunger	Stainless steel	1.4404
	Spring	Stainless steel	1.4310
	Housing for spring	Stainless steel	1.4401
	Guide disc	Stainless steel	1.4401
6	Housing for sealing	Stainless steel	1.4401
	Sealing	EPDM	
6	Radial bearing	Ceramics	
7	Rotor can	Stainless steel	1.4401
8	Shaft	Ceramics	
	Rotor	NdFeB	
	Rotor tube	Stainless steel	1.4521
	Rotor cladding	Stainless steel	1.4401/ 1.4301
9	Bush	Stainless steel	1.4301
	Thrust bearing	Carbon	
10	Thrust bearing retainer	EPDM	
11	Screws	Steel, eco-lubric coated	
12	Bearing plate	Stainless steel	1.4301
13	Gasket	EPDM	
14	Impeller	Composite/PES 30 % GF	
15	Pump housing	Cast iron GG15	EN-GJL-150
		Stainless steel	1.4308
16	Neck ring	Stainless steel	1.4301

**Performance curve**



**Dimensions**



Pump type	Dimensions [mm]											
	L1	L3	L4	B1	B2	B3	B4	H1	H2	H3	H4	G
UPS3 15-50/65	130	89	45	54	54	64	47	25	102	47	149	G 1 1/2

**Pump product number**

Product type	Product number
UPS3 15-50/65	99199622

**Insulating shells**

The insulating shells can be ordered as accessories.

Pump type	Product number
UPS3 15-50/65	99270706

**Cables**

	Length [mm]	Product number
Superseal Molex cable adapter, overmoulded	150	99165311
Superseal Volex cable adapter, overmoulded	150	99165312

**Union and valve kits**

		Product numbers				
		Union nut with internal threads		Union nut with external threads		
UPS3	Connection					
		3/4	<b>1</b>	1 1/4	1	1 1/4
15-xx	G 1 1/2	529921	<b>529922</b>	529821	529925	529924

The product number for the standard sizes is printed in bold.

For further product information and documentation visit the Grundfos Product Center at [www.grundfos.co.uk/gpc](http://www.grundfos.co.uk/gpc)